



Creating a cleaner, safer world™

830-II

Power Sweeper



Unsurpassed Dust Control

Powerful. Easy to use. Maneuverable. Compact. The Model 830-II sweeper offers all of this and more, including a state-of-the-art dry-dust control system that is simply the best in the business.

The 830-II's excellent sweeping ability begins with a self-adjusting, center-point-suspended main brush that efficiently picks up sand, dirt, rocks, broken glass and bulky light debris. Main brush dust is pulled by twin, high-volume vacuum fans into a long-lasting, high-capacity filter to remove dust particles and exhaust clean air.

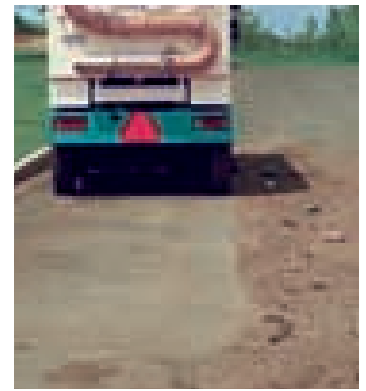
And there's more. One-button sweeping makes operation easy and requires less training time; an unobstructed view ensures a clear view of the sweeping area and bystander safety; and finally, four-wheel steering allows the machine to maneuver easily around obstacles, corners and heavy traffic.

Productivity-Enhancing Options

- Waterless side brush dust control for areas incompatible with water.
- Vario Sweeping Brush moves in and out, up and down to reach hard-to-access areas on either side of machine.
- A 9½-ft. (2.89 m) high-dump allows discharge into large roll-off bins and dump trucks.



The 830-II's 9-1/2-ft. (2.89 m) high-dump allows for discharge into large roll-offs and dump trucks.



Innovative dry-dust control improves ambient air quality by sucking up dust and dirt stirred up by brushes.



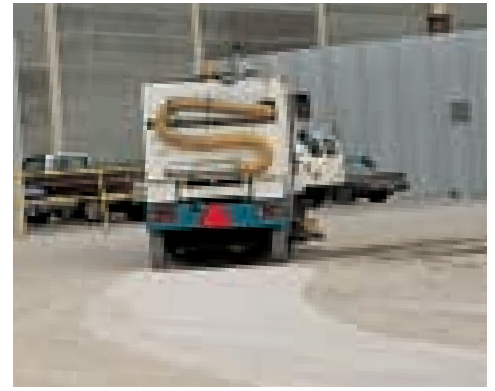
83



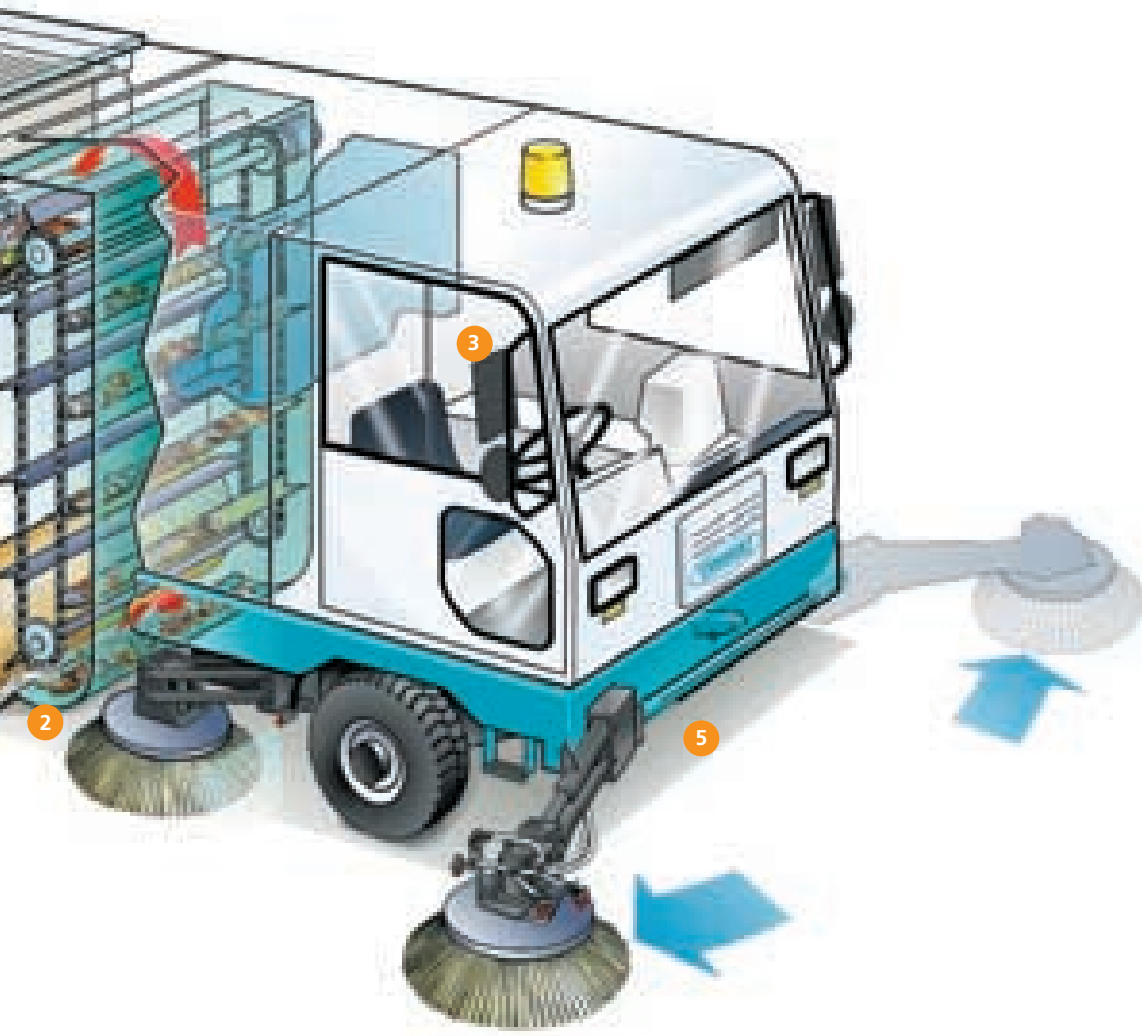
One button controls the sweeping functions. Ergonomic touch panel controls all other sweeping and debris-dumping functions.



Downtown obstacles and congestion pose no problem for the 830-II.



Especially effective in cleaning industrial facilities with large amounts of fine dust.



The Model 830-II

- 1 Two high-volume vacuum fans draw dry dust through a large-capacity synthetic-singed polyester filter that effectively prevents dust exhaust.
- 2 Centrally suspended main brush penetrates contours of any surface for thorough cleaning.
- 3 Roomy, quiet cab with heater-pressurizer, quad mirrors and spring-suspension luxury seat ensure comfortable ride.
- 4 Stainless-steel hopper holds up to 3.4 cubic yds. (2.1 cubic m) of debris.
- 5 Vario Sweeping Brush cleans hard-to-reach areas.

830-II Power Sweeper

Specifications*

Propelling System

| | | |
|----------------|----------|---------|
| Speed forward | 0-25 mph | 40 km/h |
| Perkins diesel | 90 hp | 67 kW |

Sweeping System

| | | |
|------------------------------------|----------------------|---------|
| Cleaning path | | |
| - main broom only | 51 in | 1295 mm |
| - with right side brush | 69 in | 1750 mm |
| - with dual side brushes | 87 in | 2210 mm |
| - and auxiliary brush | 126 in | 3200 mm |
| Hopper volume | 3.4 yds ³ | 2600 L |
| Hopper capacity (low dump) | 7000 lb | 3175 kg |
| Hopper capacity (multi-level dump) | 4000 lb | 1815 kg |

Dust Control System

| | | |
|------------------|------------------------|-------------------|
| Synthetic filter | 211 ft ² | 20 m ² |
| Filter cleaning | Hydraulic shaker motor | |

Dimensions

| | | |
|------------------------------------|--------|---------|
| Length (w/o Vario Sweeping Brush™) | 175 in | 4439 mm |
| Width | 70 in | 1778 mm |
| Height | 100 in | 2540 mm |

Weight

| | | |
|--------------|-----------|---------|
| Base weight | 12,500 lb | 5670 kg |
| With options | 13,600 lb | 6170 kg |

Tennant Value Added Equipment Includes:

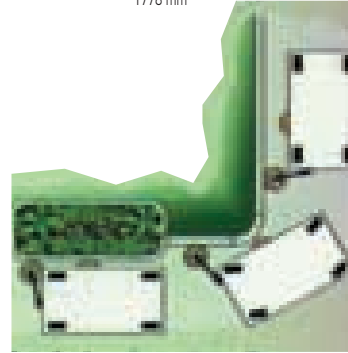
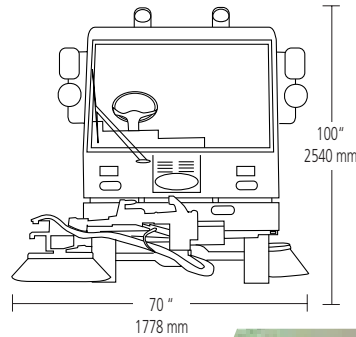
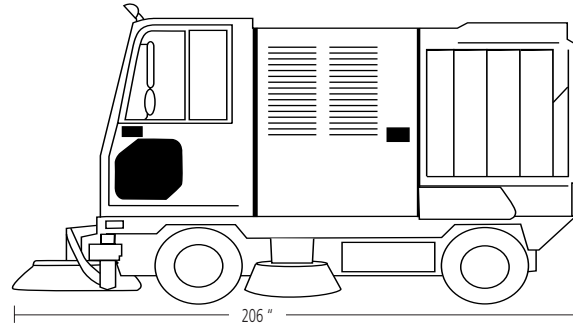
| | |
|-------------------------------|---------------------------------------|
| 4-wheel power steering | One button sweeping system activation |
| Sliding glass windows | System Monitoring warning lights |
| Premium cloth suspension seat | Premium cloth passenger seat |
| Heater/defroster | Keyed locks/seat belts |
| Easy-reach controls | |

Optional Equipment

| | |
|----------------------------------|--------------------------------------|
| 9'6" high dump | Right-hand Vario Sweeping Brush |
| Air conditioning | Left hand steering operator position |
| Turbo charged diesel engine | Vacuum wand |
| Radial tires | AM/FM radio/tape deck |
| High pressure sprayer | Extra tire |
| Foam-filled tires | Engine access step kit |
| Side brush dust control skirting | Hydrant fill kit |
| Left-hand side brush | Night lighting kit |
| Left-hand Vario Sweeping Brush | |

* Subject to change without notice.
(Some options may not be available in all countries.)

Dimensions



Power, 4-wheel steering gives the machine impressive maneuverability to easily sweep around obstacles and corners.



Vacuum wand extends cleaning into hard-to-reach places. Spray nozzle helps dislodge packed debris for better pickup.

Creating a cleaner, safer world™

Tennant Company offers the most complete line of floor and surface maintenance equipment, floor coatings, brushes, and cleaning detergents in the world. Our sales and service networks are able to provide you with integrated custom cleaning solutions to meet any floor care need.

ISO 9001 Certified



Tennant Company

P.O. Box 1452
Minneapolis, MN U.S.A. 55440
Call toll-free: 1-800-553-8033
In Quebec call: 514-335-6061
Fax: 763-540-1437
www.tennantco.com